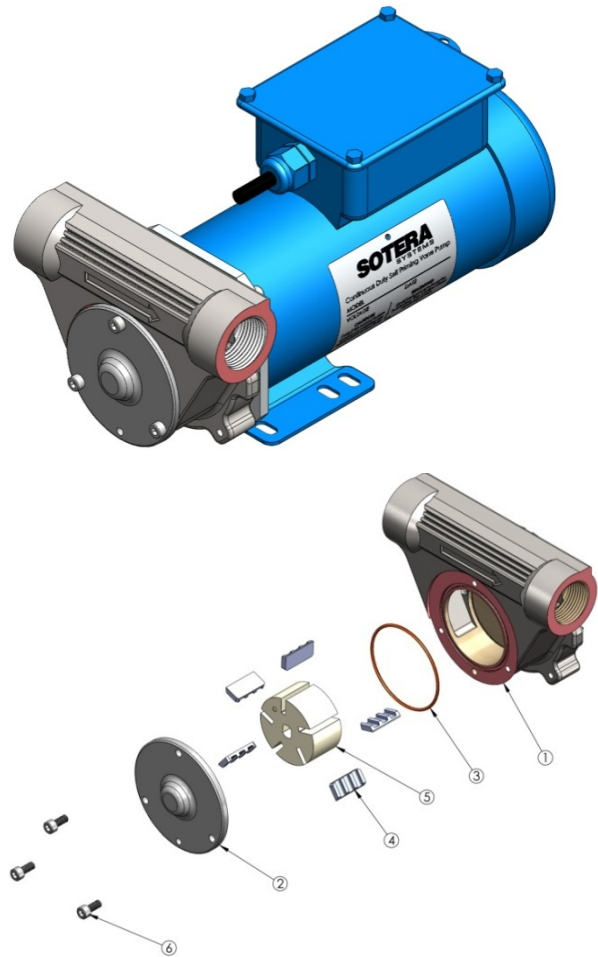


## 20 GPM SV Pump S & E Data Sheet

### Technical Information

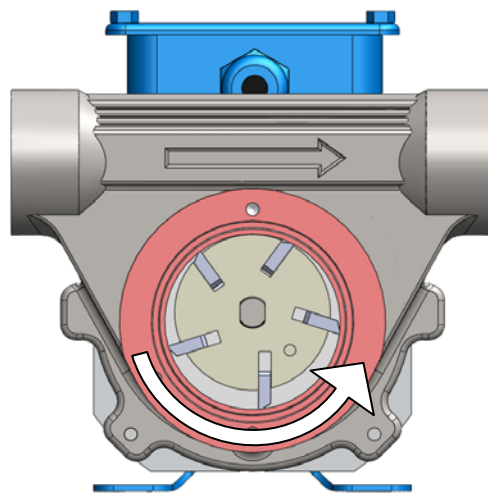
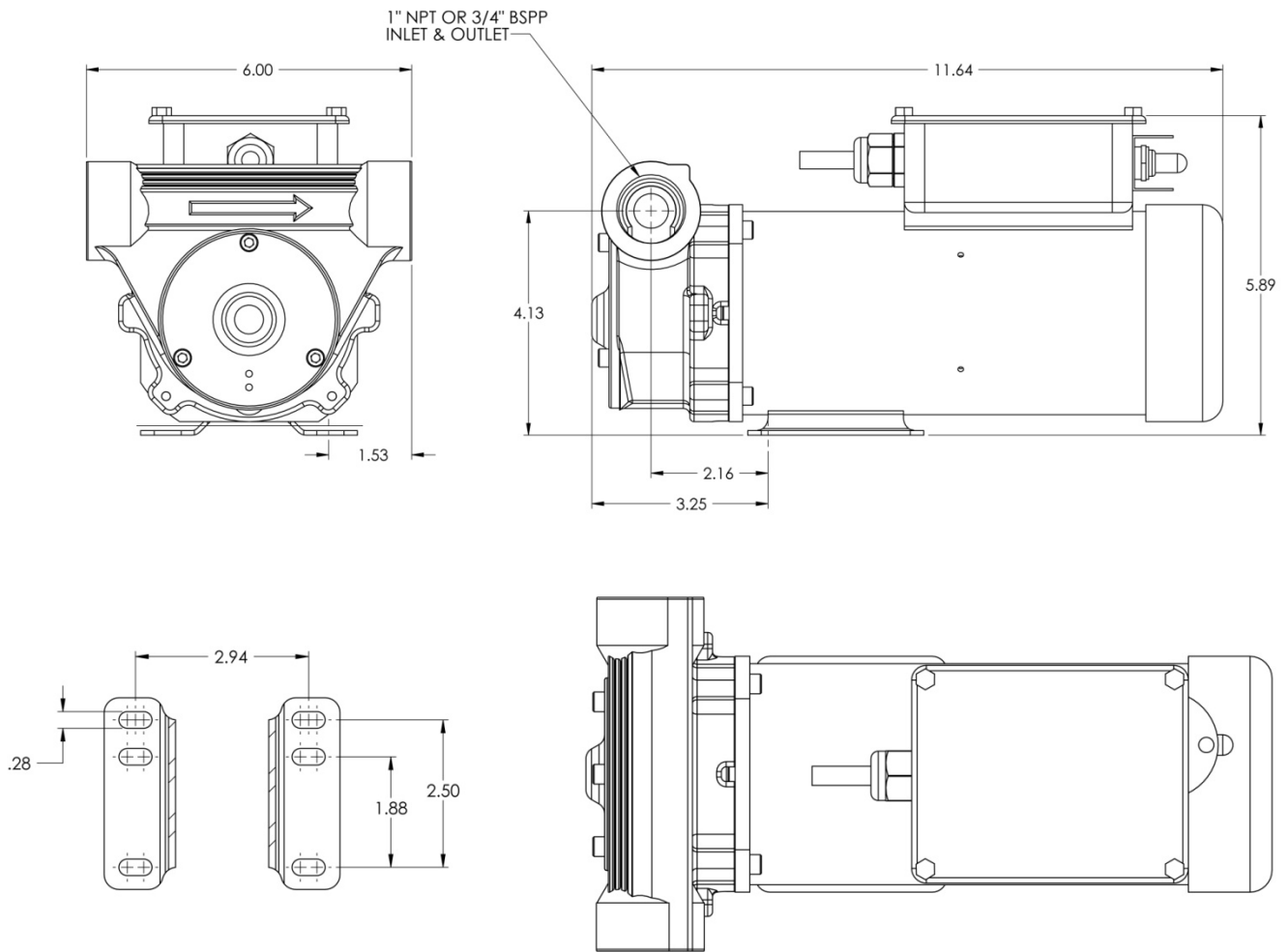
Material of Construction	
Housing	304SS
Shaft	304SS
Rotors	304SS
Vanes	POM / Acetal
Seal	Viton®
O-rings	Viton®
Product Specs	
Flow - GPM (LPM)	20 (76)
Pressure - PSI (Bar)	19 (1.1)
Min/Max Temp	-40 to 125F
Motor HP (kW)	.5 (373)
Speed - RPM	3,450
Duty Cycle	Continuous
Max Viscosity - SSU	50
Motor Enclosure	TEFC
Porting Outlet	NPT or BSPP
Efficiency	89%
Max FLA - amps	7.2
Misc	
Mounting	Foot
Certifications	Motor UL
Mechanical or Electrical	N/A
Platform (technology)	Vane Pump



### Nomenclature

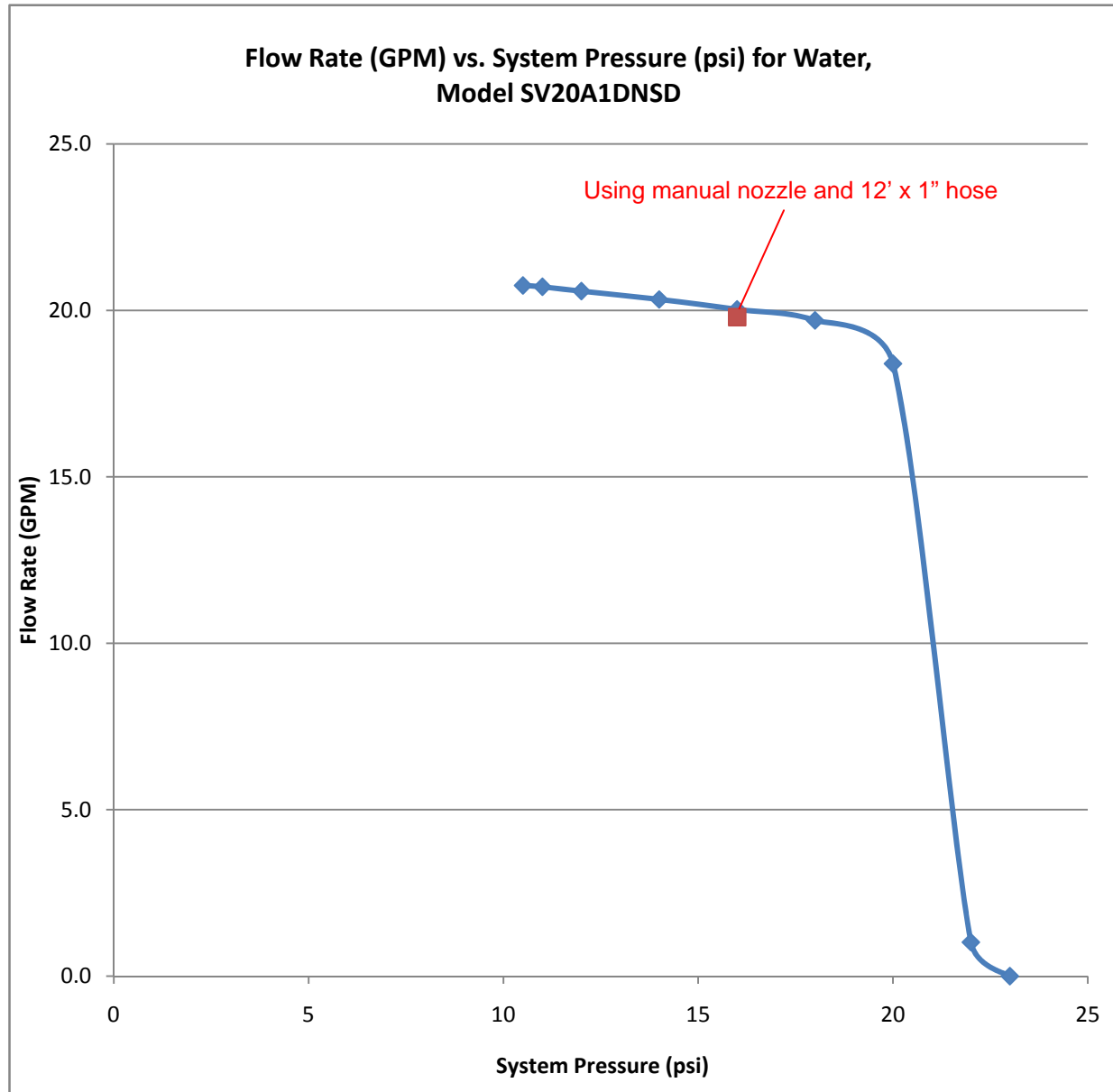
LOP	Pump Type	GPM	Motor Detail	Seal	Thread	Pump Body	Pump Internals	REV
S-Sotera	V-Vane	20	A1 - 115VAC 3450 RPM	D	N-NPT B-BSPP	S-Stainless	D-POM-Viton Seal	0

# Dimensional Information



Rotor Orientation

# Performance Information

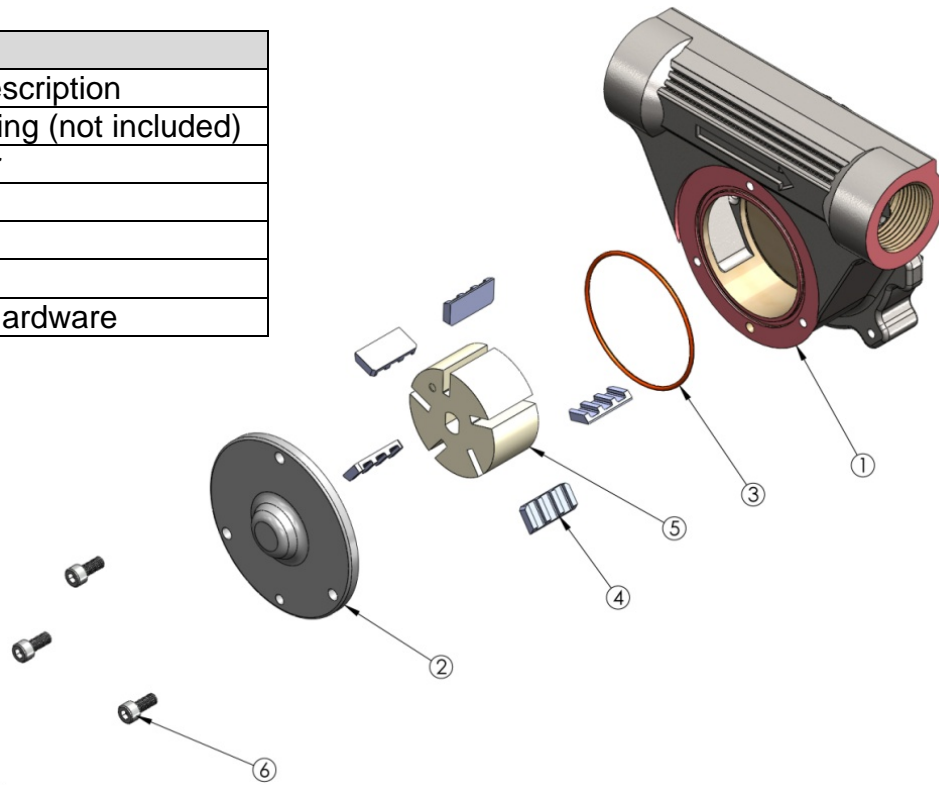


**Tuthill Transfer Systems**

8825 Aviation Drive  
Ft. Wayne, IN 46809  
(260) 747-7529  
www.tuthill.com

# Kit & Accessory Information

KIT180RG	
#	Description
1	Pump Housing (not included)
2	Rotor Cover
3	O-ring seal
4	Vanes
5	Rotor
6	Fastening Hardware



Accessories		
Part Number	Description	Contents
KITFR180MP	Tote Plate	Mounting plate for SV20 motor; accommodates pump, hose reel (KITFR32RA), and nozzle rest
KITFR32RA	Hose Reel & Support Rod	Hose Reel and Support Rod for Mounting Plate (KITFR180RA); supports and retracts hose
KITFR55DU	Drum Kit	Roller Base with Locking Roller Bearing Casters, Tote Plate Platform, Drum Lock Bar
TS06CEDMA-V01	Digital Meter	3/4" NPT Stainless Steel Precision Oval Gear Meter
825	Digital Meter	825 Series Sotera Nutating Disc Meter, NPT Threads
FRNS075A	Nozzle	3/4" Automatic Dispensing Nozzle with hanging hook