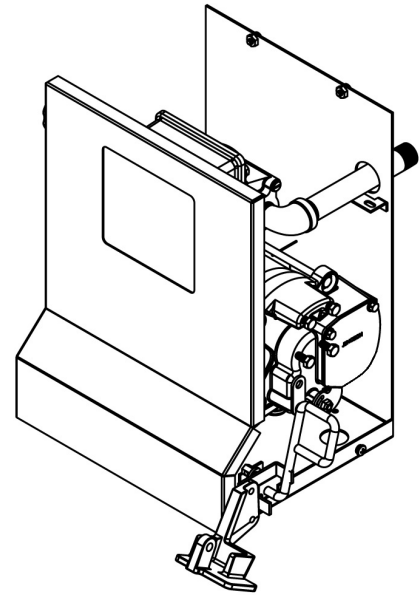
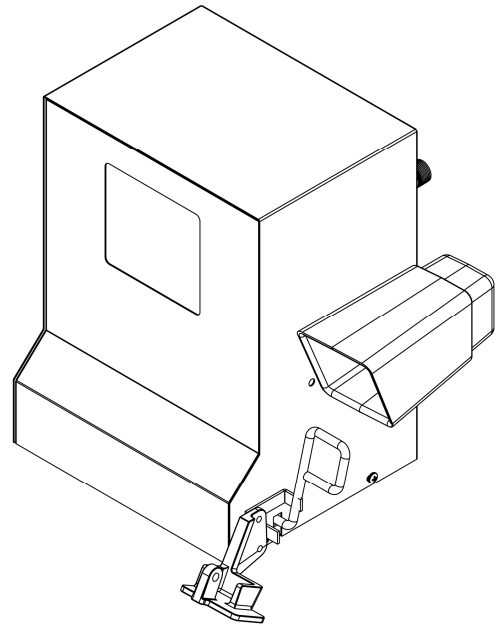


## FR702V Cabinet Pump S & E Data Sheet

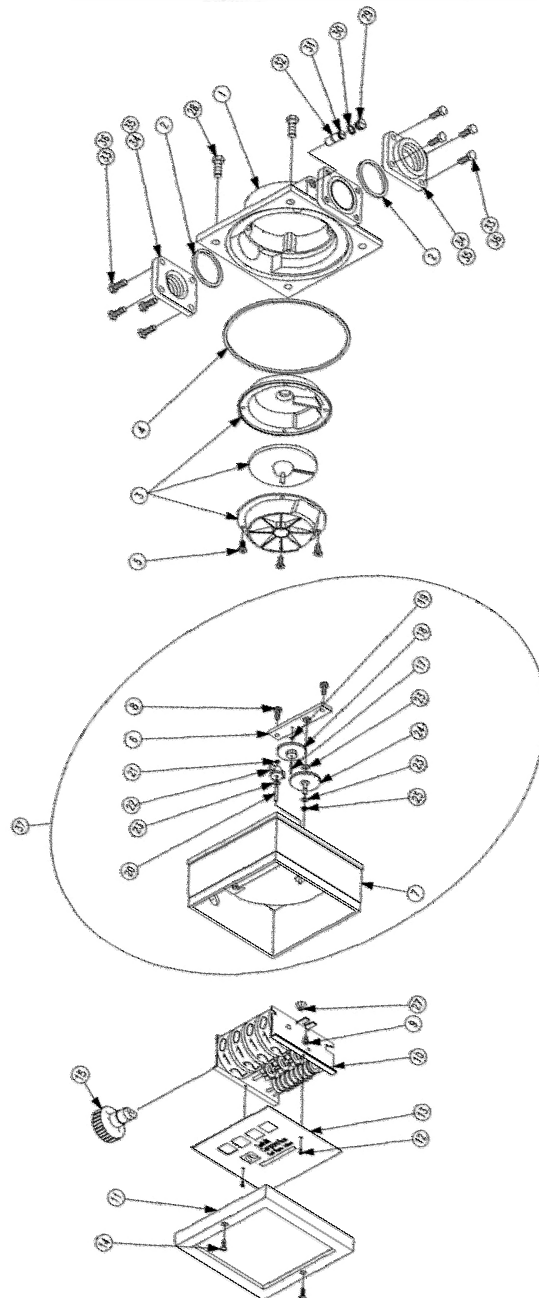
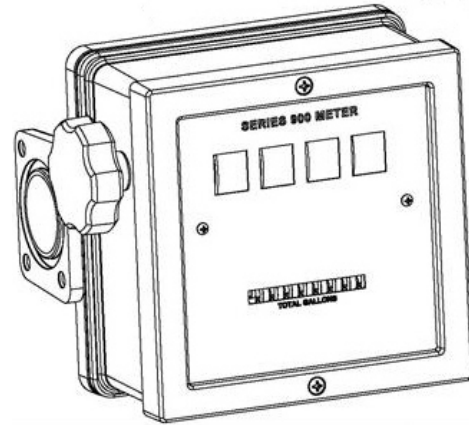
### Technical Information

Motor	
Power -AC 115, 230, 115/230	115
HZ 50, 60, 50/60	60
Power - DC 12, 24, 12/24	-
HP (horsepower) rating	1/3
Power cord length	NA
Power cord gauge	NA
Power cord DC battery connectors	NA
Watts	
Amps (FLA)	5.5
RPM	1725
Duty cycle	30 min
Thermal protection switch	Yes
Circuit protection fuse	None
Certification	UL, cUL
Pump	
Type- rotary, diaphragm, gear, vane	Vane
GPM in supplied configuration	15.8
GPM open flow - no hose or nozzle	18.1
By-pass pressure rating (psi) - Max	22
Dry vac (in Hg)	10
Head- Max	
Inlet – Size	2" female
Inlet- NPT, BSPP, BSPT	NPT
Outlet– size	3/4" male
Outlet- NPT, BSPP, BSPT	NPT
Mounting type (foot, bung, wall, etc)	Bung
Pump Housing materials of construction	Cast Iron
Seal Material	Viton
Vane & Materials of Construction	Bronze

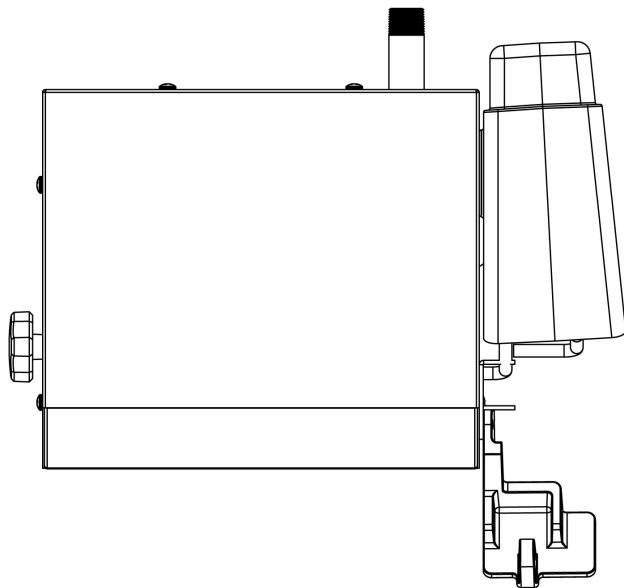
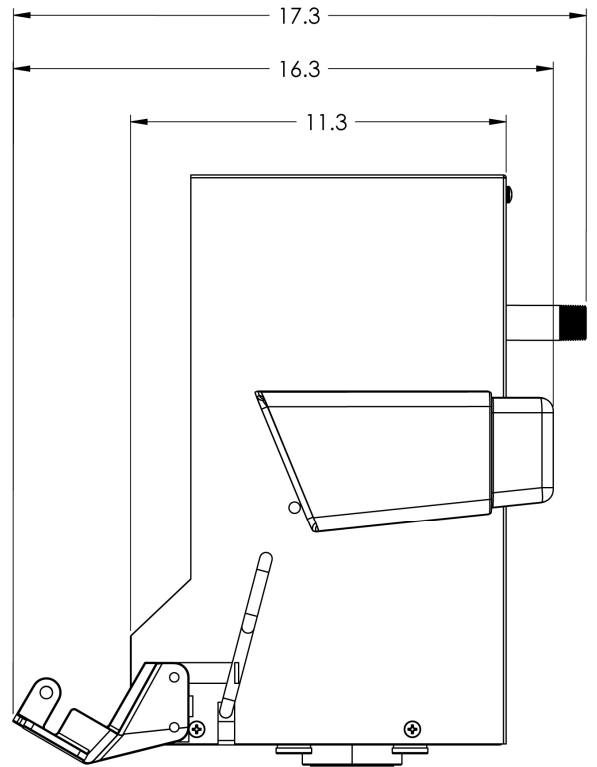
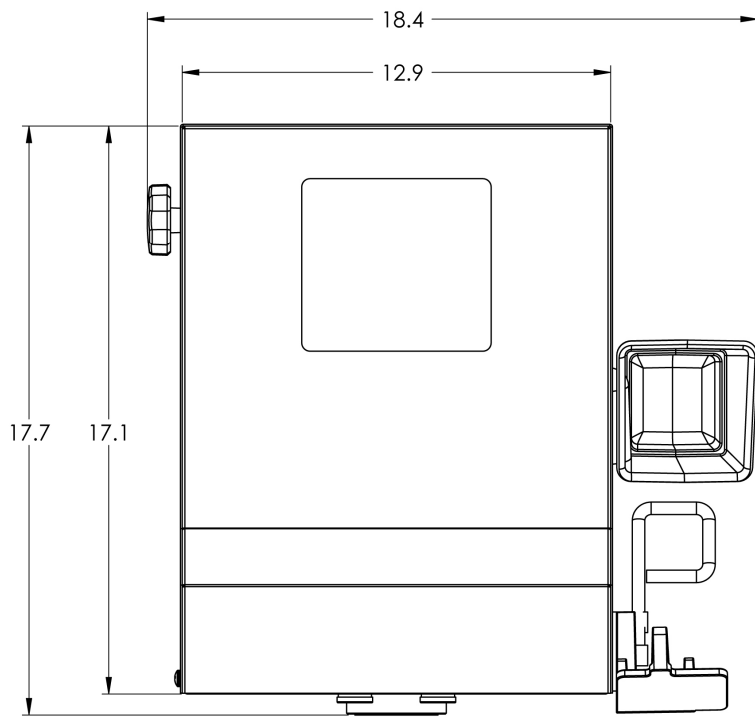


# Technical Information (900 Series Meter)

Meter	
Display type	Gallon, 0.1 accuracy
Display Type	3 digit mechanical
Calibration settings	
Field calibration	
Resettable counter	Yes
Master totalizer	Yes
Batch	No
Reset	
Power source- battery, AC, DC	Not needed
Pulser output	No
Inlet	3/4" NPT
Outlet	3/4" NPT
Batching	No
Materials of Construction - seals	Aluminum, polypropylene, viton seals
Compatible fluids	gasoline, diesel
Electric/mechanical	Mechanical
Other indicators/icons/settings	
Materials of construction	Aluminum, polypropylene
Materials of construction - seals	Viton
Compatible fluids	Gasoline, diesel
Max viscosity range	
Measurement system – nutating disc, oval gears,	Nutating disc
Certifications	UL



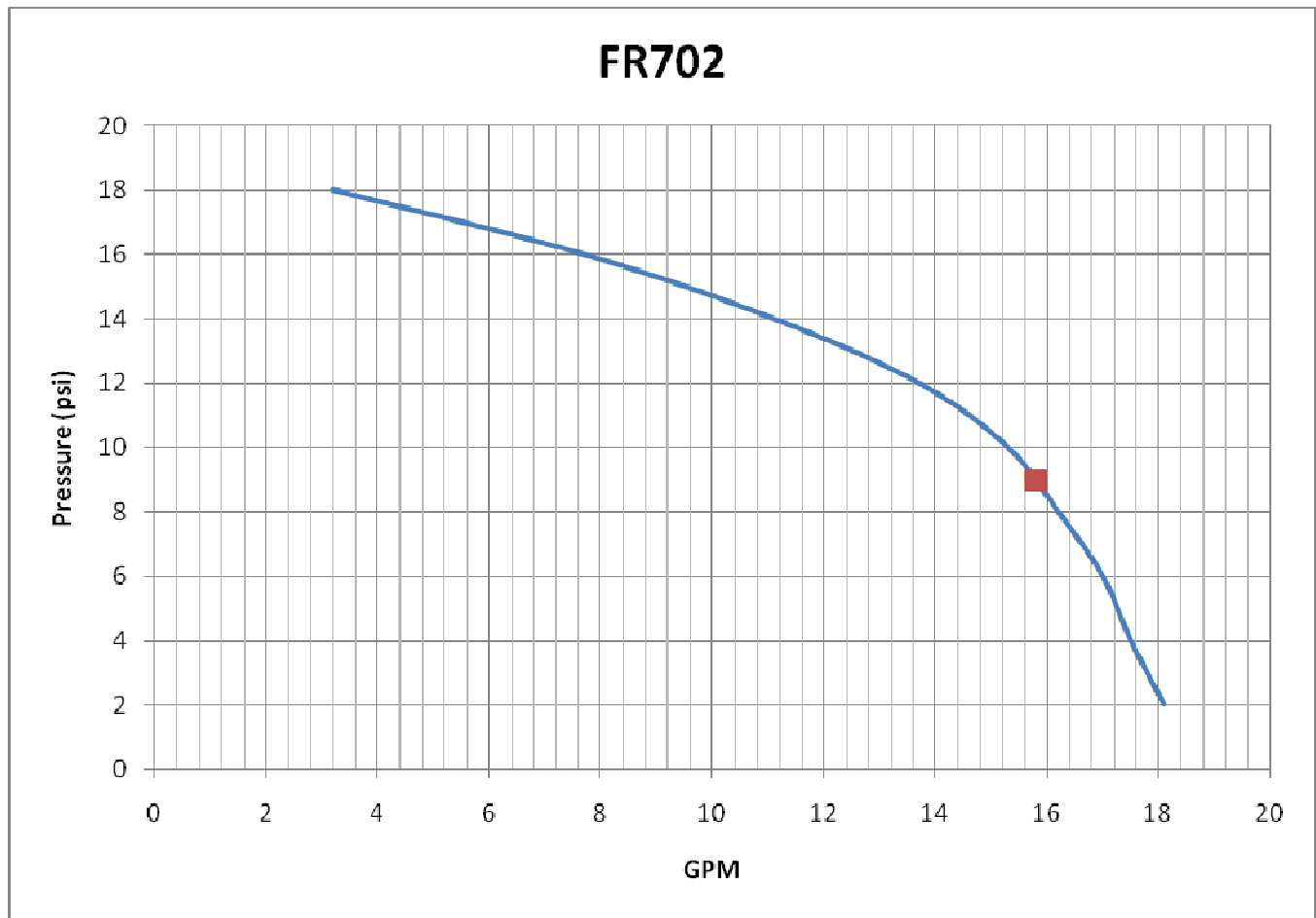
# Dimensional Information



Measurements	
Height (overall)	17.7"
Width (overall)	18.4" *
Depth (overall)	17.3" *
Weight (shipping)	
Box Dimensions	
Pallet Quantity	
Overpack shipper carton size	

# Performance Information

psi	GPM	Amp	
2	18.1	5.53	
4	17.5	5.57	
6	17	5.63	
8	16.2	5.67	
10	15.3	5.76	
12	13.7	5.77	
14	11.1	5.74	
16	7.7	5.64	
18	3.2	5.67	
20	0	5.69	Bypass
9	15.8	5.69	12' 3/4" Manual Nozzle
11.5	14.2	5.72	12' 3/4" Automatic Nozzle



Red Data Point is with product configuration—12' x 3/4" Manual Nozzle



Tuthill Transfer Systems  
 Fort Wayne, Indiana  
 (800) 634-2695  
 www.tuthill.com