



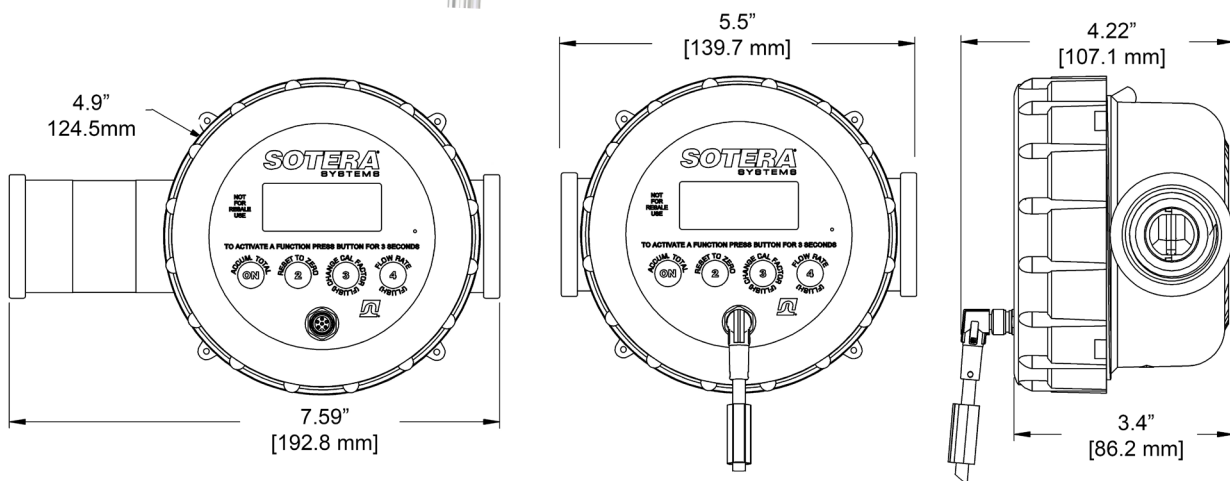
825P/850P

Digital Pulse Output

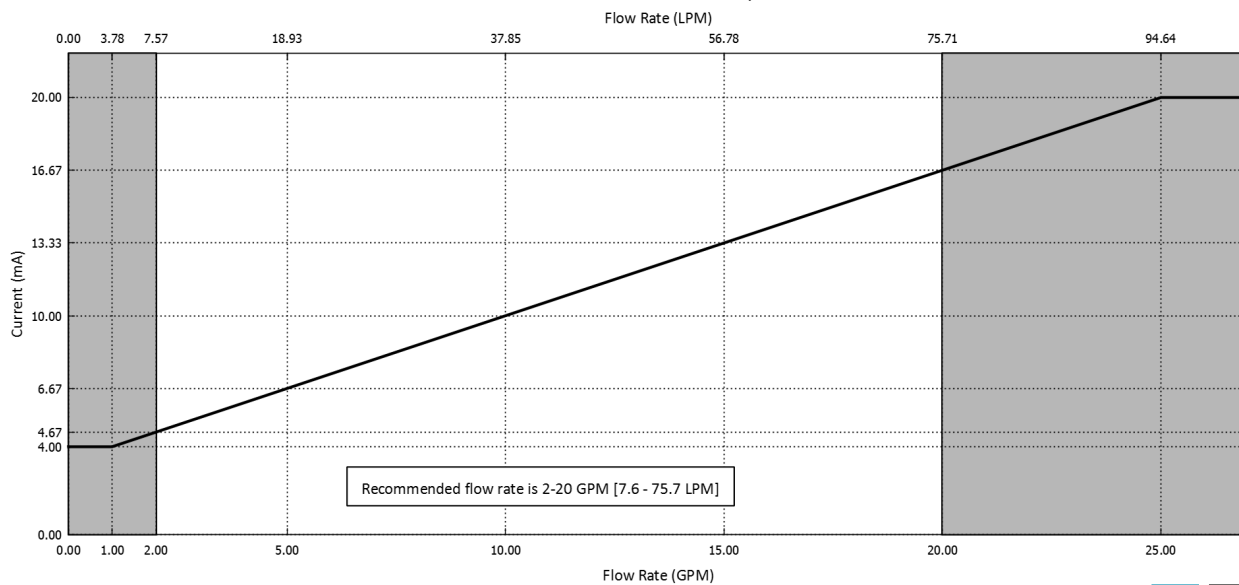
Meter Technical

Specifications

with 4-20 ma output



825P / 850P 4-20mA Output

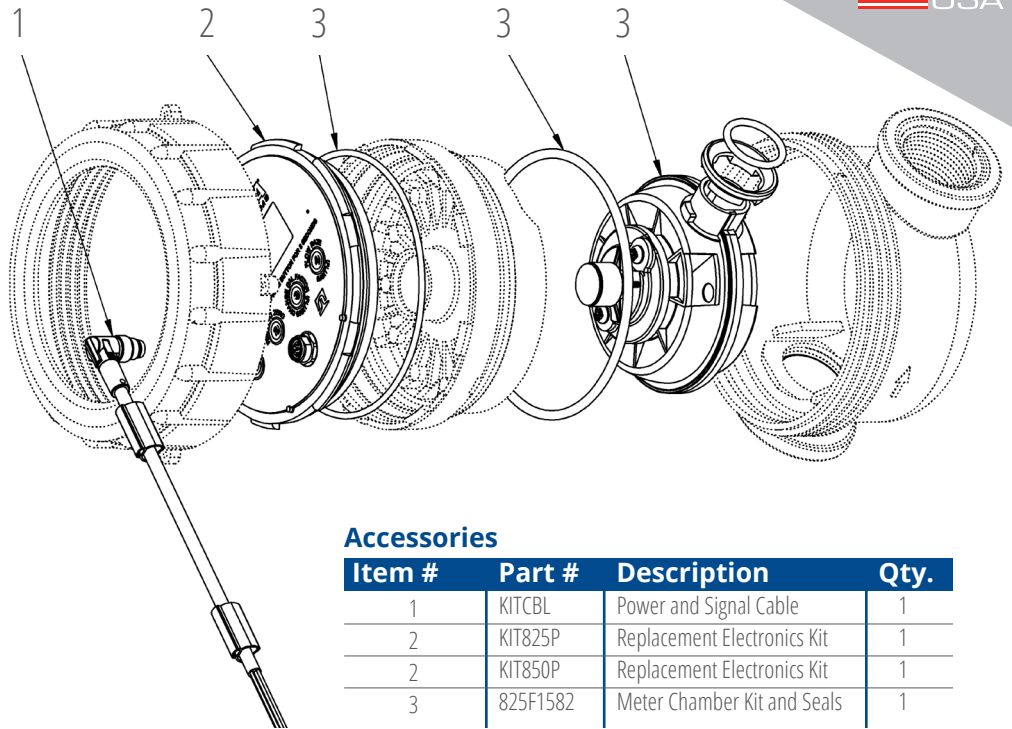


Product Specs

Flow Ports	1" NPT inlet/outlet ports, female threads (3/4" BSPP available)
Flow Range	2 to 20 GPM / 7.6 to 76 LPM
Pressure	120 PSI / 8.2 Bar
Temperature	0° to 130°F / 17° to 54°C
Accuracy	±0.5%
Units of Measure	Ounces, pints, quarts, liters, gallons; special calibration option also
Range	9999 current total; 10,000,000 accumulated total

Materials of Construction

Body	Polypropylene
Chamber	Polypropylene sulfide (PPS) and 303 Stainless Steel
Wetted Seals	Fluorocarbon (EPDM optional)
Weather and Dust	
Body Seal	BUNA-N
Display	LCD (Liquid Crystal Display)
Power	Two CR2032 Lithium batteries and external 12-24 VDC



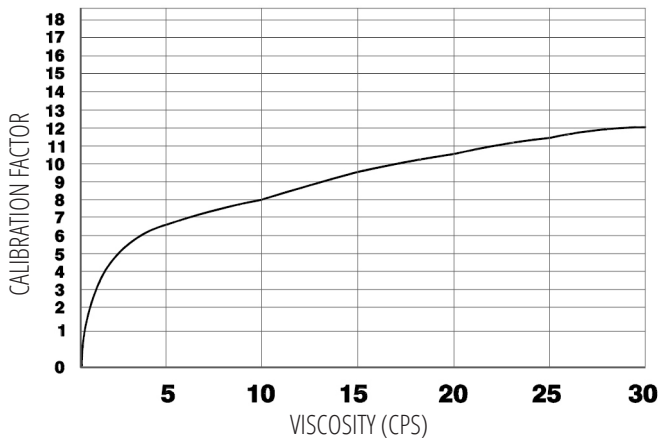
Accessories

Item #	Part #	Description	Qty.
1	KITCBL	Power and Signal Cable	1
2	KIT825P	Replacement Electronics Kit	1
2	KIT850P	Replacement Electronics Kit	1
3	825F1582	Meter Chamber Kit and Seals	1

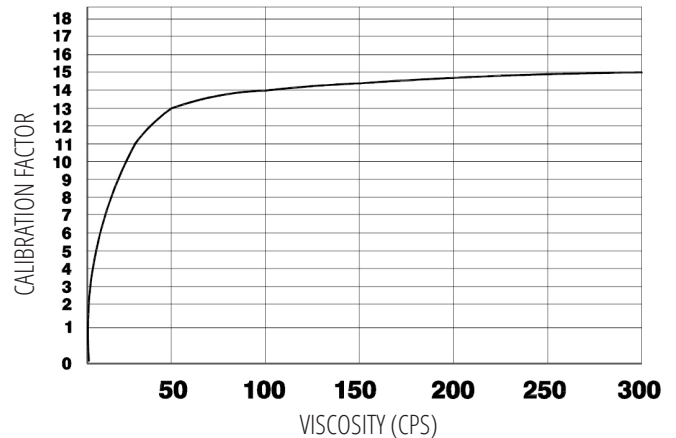
Meter Calibration Factor Selection Based on Fluid Viscosity

NOTE: Graphs are accurate with original factory calibration, or a water calibration.

Low Viscosity (thin) Fluids



Medium Viscosity Fluids



High Viscosity (very thick) Fluids

