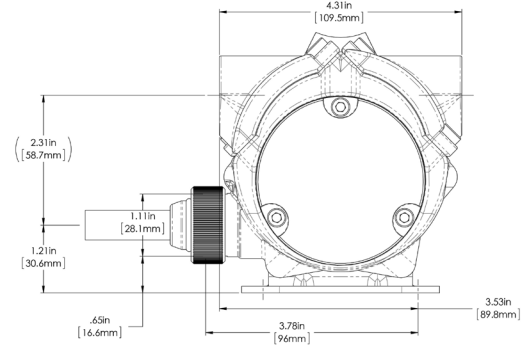
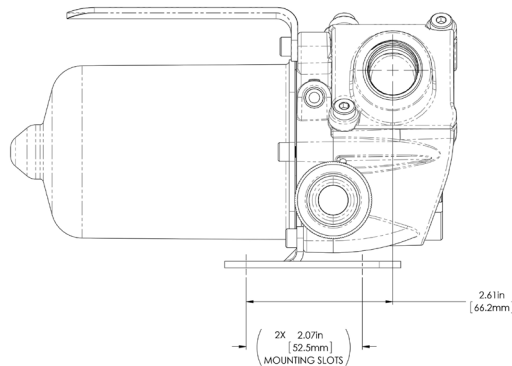
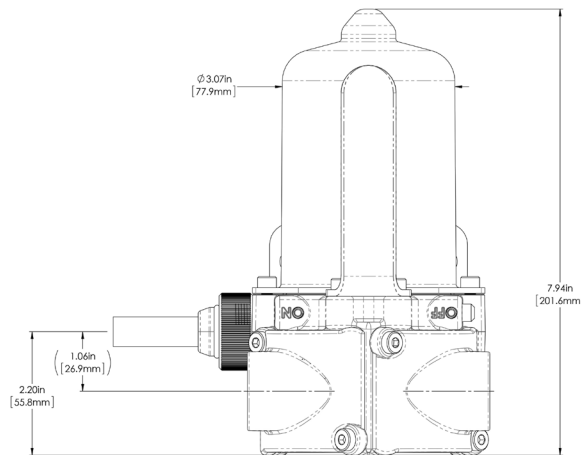


FILL-RITE®

The Most Trusted Name in Pumps and Meters

RD8 Series Technical Specifications

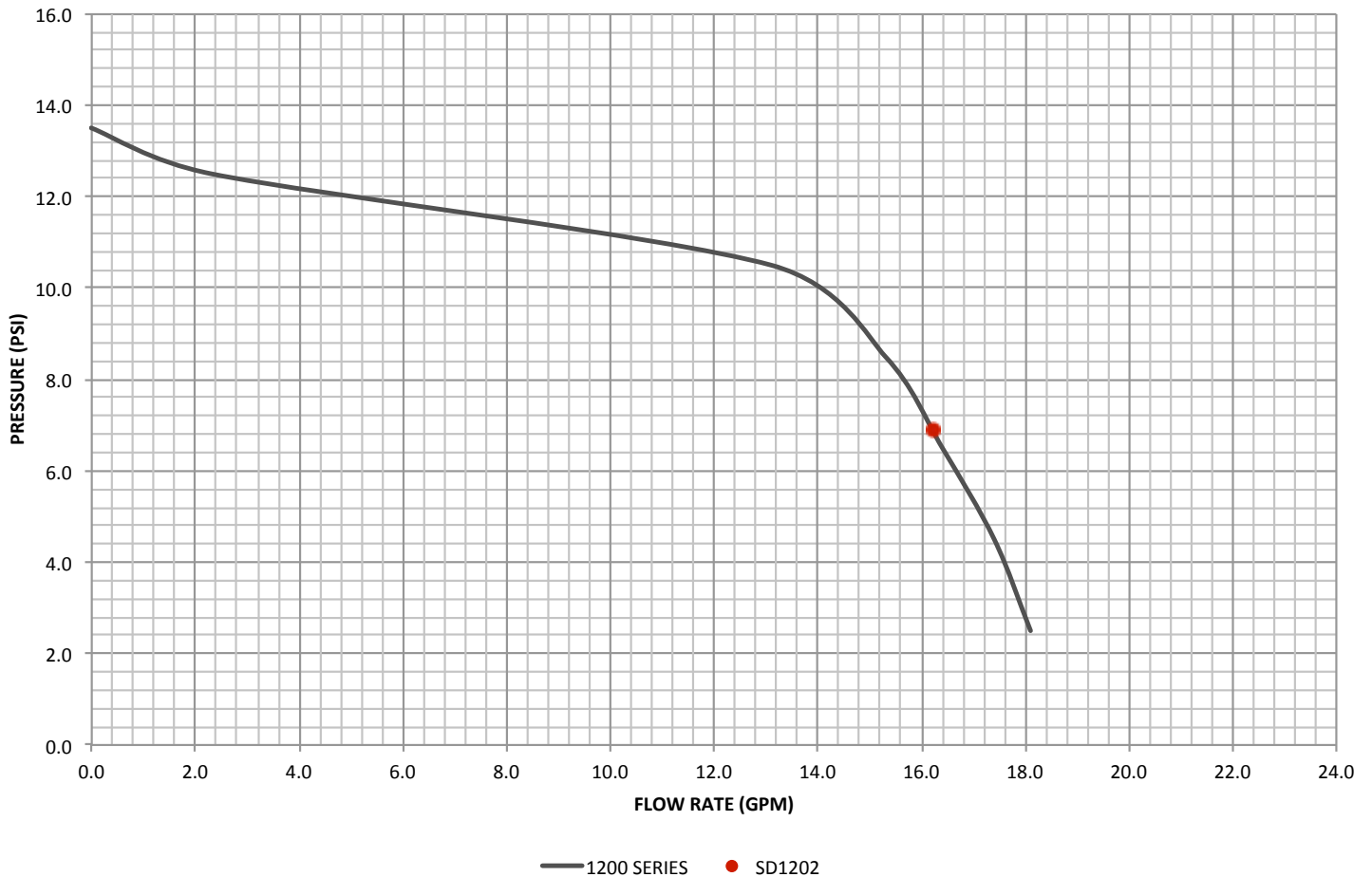


| Pump | | Motor | |
|--|---|---------------------------------|--------------------------------|
| Type - Rotary, Diaphragm, Gear, Vane | Rotary Hinged Vane | Power - AC 115,230, 115/230 VAC | N/A |
| Flow Rate in supplied configuration | Up to 8 GPM / 30 LPM | HZ 50,60,50/60 | N/A |
| Flow Rate open flow - no hose or nozzle- | Up to 10 GPM / 38 LPM | Power - DC 12, 24, 12/24 | 12 VDC |
| By-Pass Pressure Rating (PSI) - Max | 16 PSI | HP (Horsepower) Rating | 1/6 HP |
| Dry Vac (in Hg) | 5 | Power Cord Length (feet) | 10' |
| Head - Max (Ft.) | 37 | Power Cord Gauge (AWG) | 12 AWG |
| Anti-Siphon Valve | None | DC Power Cord Connectors | NONE |
| Inlet - Size / Thread | 3/4" NPT / 3/4" BSPP | Amps (FLA) | 14 |
| Outlet - Size / Thread | 3/4" NPT / 3/4" BSPP | RPM | 3600 |
| Mount | 2" Bung NPT / BSPP | Duty Cycle | 30 min. on / 30 min. off |
| Material - Pump Housing | Aluminum | Thermal Protection Switch | Yes |
| Material - Wetted Material | BUNA-N + HNBR | Circuit Protection Fuse | None |
| Rotor Material | Nylon | Certification | UL, cUL Motor, ATEX, CE, ANZEx |
| Rotor Vane Material | Acetal | | |
| Compatible Fluids | Diesel, Gasoline, BioDiesel up to B20, E15, Kerosene, Methanol (to 15%) | | |
| Strainer Mesh Size | 20 X 20 | | |
| Warranty | 2 Years | | |



Excellence at work. Excellence in life.

1200 SERIES PERFORMANCE CURVE



SERVICE KIT INFORMATION

| Kit | Description | Parts |
|----------|-------------------|--|
| KIT812PC | Power Cable Kit | Quick Connect Power Cable Assembly |
| KIT812RG | Rotor & Vane Kit | Rotor & Vanes, Rotor Cover, Inlet Screen, Flange O-rings, Rotor Cover O-Ring, Flange Fasteners |
| KIT812FL | Single Flange Kit | Flange, Inlet Screen, Flange O-Ring, Flange Fasteners |
| KIT812SL | Seal Kit | Inlet Screen, Flange O-rings, Rotor Cover O-Ring, Flange Fasteners, Rotor Cover Fasteners |
| KIT812NH | Hose Kit | 3/4" x 6' Suction Hose, 3/4" x 8' Discharge Hose, PTFE Tape |
| KIT812NP | Bung Mount Kit | Suction Tube, Bung Adapter, Nipple, Nozzle Boot, Nozzle Boot Fasteners, PTFE Tape |

| Accessories | |
|--|--------------------------|
| Suction pipe material | N/A |
| Suction pipe length - extended/notextended | None |
| Nozzle - size | N/A*** |
| Nozzle - Manual / Automatic | N/A*** |
| Hose liquid materials compatibility | Oil, Gasoline, Diesel*** |
| Hose diameter | 3/4"*** |
| Hose length | N/A*** |
| Hose static wire (Y/N) | N/A*** |

| Logistics | |
|-----------|--------------------|
| UPC | 0-89404-17578-1*** |
| Length | 15.5" |
| Width | 10" |
| Height | 6.5" |